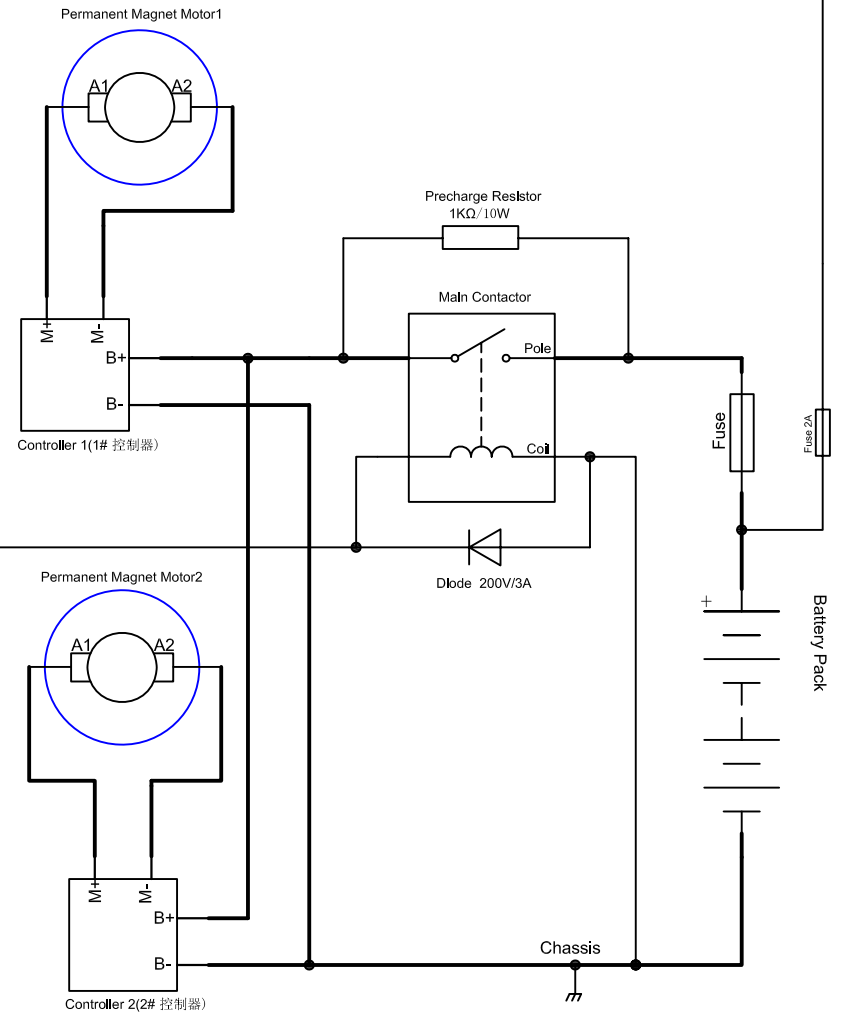
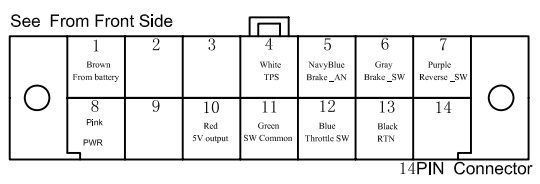
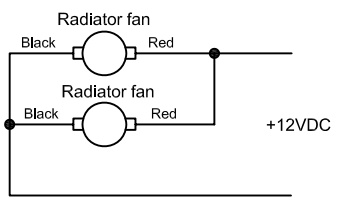


Controller1 J2	
PWR	1
RTN	2
RTN	3
Thermistor	4
Throttle_AN	5
Brake_AN	6
5VOutput	7
Throttle_SW	8
Reverse_SW	9
Brake_SW	10
Reserver	11
Reserver	12
Reserver	13
RTN	14

Aviation Plug J2 on Controller1

Controller2 J2	
PWR	1
RTN	2
RTN	3
Thermistor	4
Throttle_AN	5
Brake_AN	6
5VOutput	7
Throttle_SW	8
Reverse_SW	9
Brake_SW	10
Reserver	11
Reserver	12
Reserver	13
RTN	14

Aviation Plug J2 on Controller2



Dual PM Controller Assembly Wiring Diagram

							KELLY CONTROLS, LLC	
Mark	Subarea	Signatory	Date	06/19/2009				
Design		Stand		modification	Number	Proportion		
Assessor								
Technics		Authorize					V1.0	
				Sum	1			