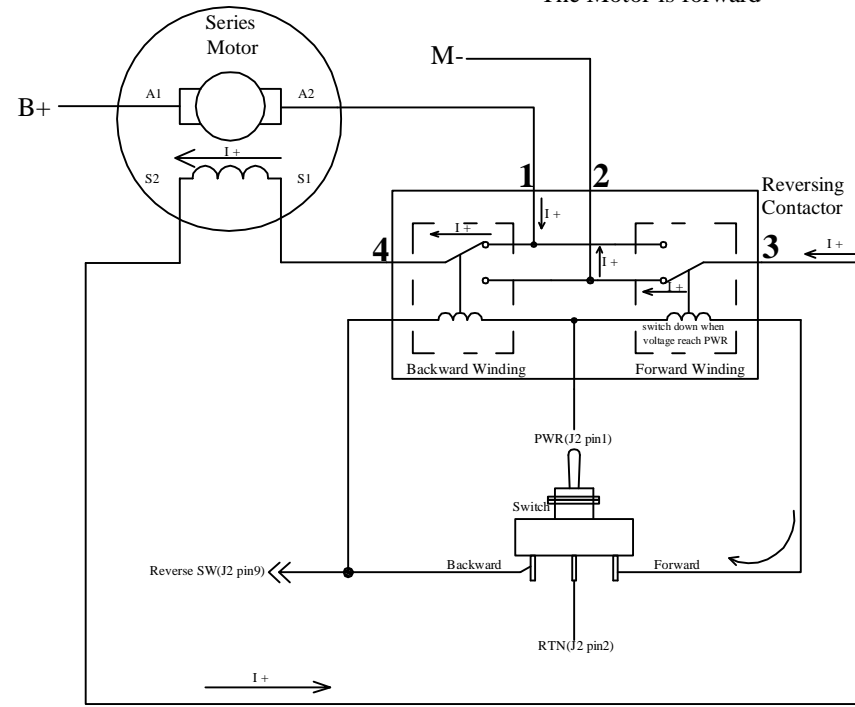
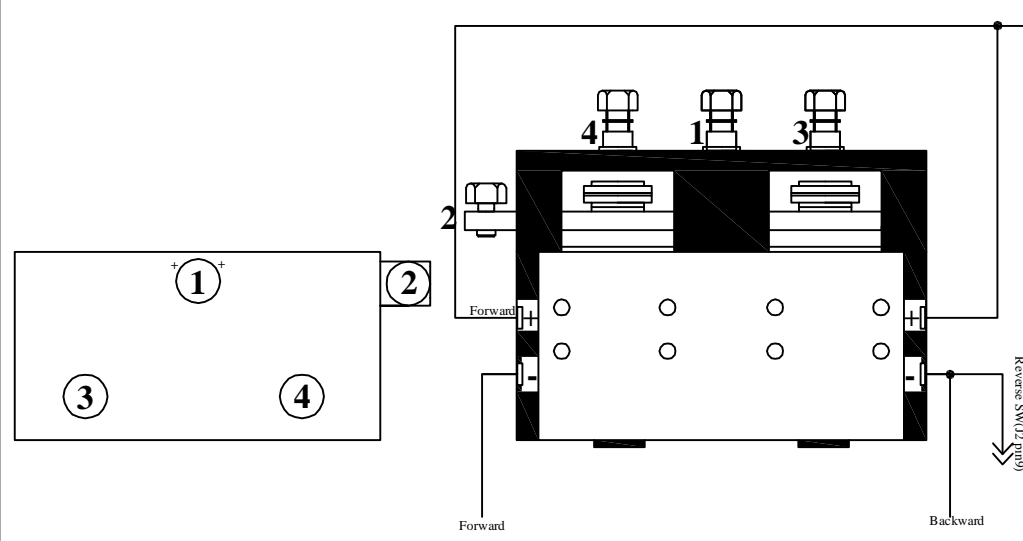
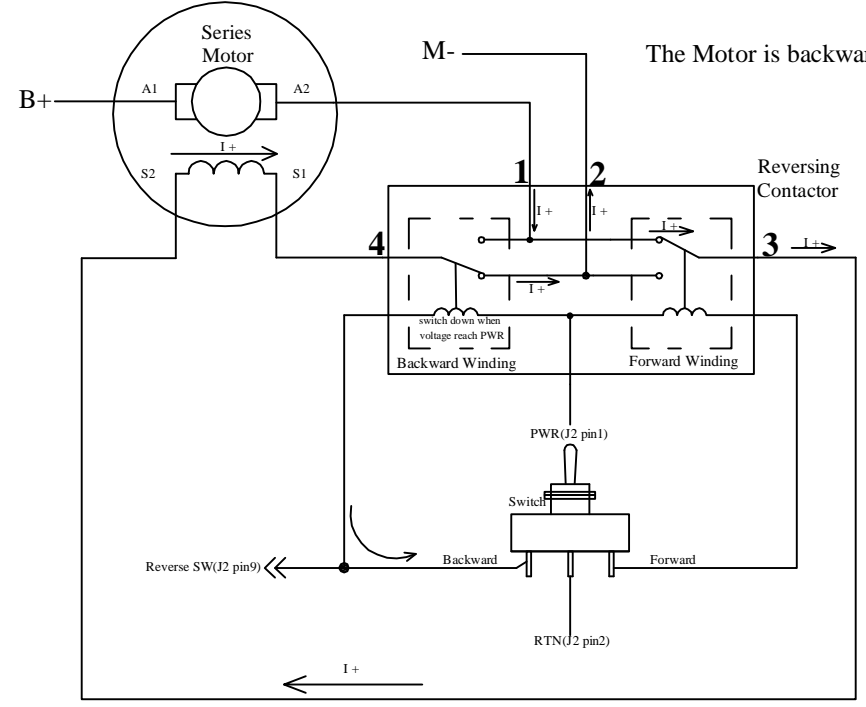


The Motor is forward



The Motor is backward



»»PWR

							KELLY CONTROLS, LLC		
Mark	Subarea	Signatory	Date				Reversing contactor principle		
Design		Stand			modification	Number	Proportion		
Assessor									
Technics		Authorize							
							Sum		